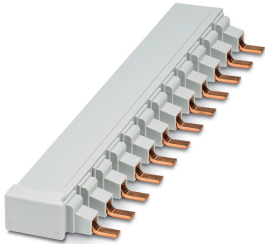


Wiring bridge - TMC 8 B1 80 37 CA - 2907992

Please be informed that the data shown in this PDF Document is generated from our Online Catalog. Please find the complete data in the user's documentation. Our General Terms of Use for Downloads are valid (<http://phoenixcontact.com/download>)




Bus bar for TMC 81... circuit breakers (single phase) with auxilliary switch module. 27 mm pitch, up to 37 positions. Rated for 80 A (end feed) 1000 V AC/DC. UL 508 Listed for connection of UL 489 rated circuit breakers.

Image shows ...C version



Key Commercial Data

Packing unit	1 pc
GTIN	 4 055626 352916
GTIN	4055626352916
Weight per Piece (excluding packing)	1.000 g
Country of origin	Germany

Technical data

Dimensions

Width	1006 mm
Height	19.3 mm
Depth	59.2 mm

General

Nominal voltage U_N	1000 V AC/DC
Nominal current I_N	80 A (End feed)
	160 A (Center feed with two 115A TMC 8 B TERM PIN terminals required per phase)
Rated voltage (III/3)	1000 V
Number of positions	37
Color	gray

Wiring bridge - TMC 8 B1 80 37 CA - 2907992

Technical data

General

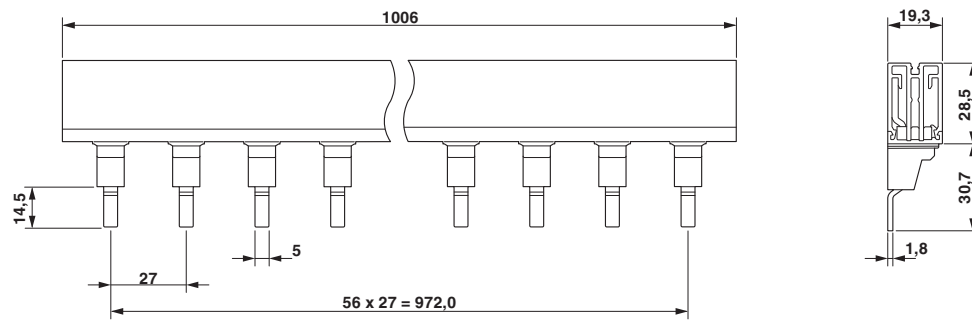
Housing material	Plastic
Type	Comb bridge

Environmental Product Compliance

REACH SVHC	Lead 7439-92-1
	Cadmium oxide 1306-19-0

Drawings

Dimensional drawing



Classifications

eCl@ss

eCl@ss 10.0.1	27371306
eCl@ss 11.0	27371306
eCl@ss 9.0	27371306

Approvals

Approvals

Approvals

UL Listed / cUL Listed / cULus Listed


Ex Approvals

Wiring bridge - TMC 8 B1 80 37 CA - 2907992

Approvals

Approval details

UL Listed		http://database.ul.com/cgi-bin/XYV/template/LISEXT/1FRAME/index.htm	FILE E 123528
-----------	---	---	---------------

cUL Listed		http://database.ul.com/cgi-bin/XYV/template/LISEXT/1FRAME/index.htm	FILE E 123528
------------	---	---	---------------

cULus Listed			
--------------	---	--	--